

# JET

## JSMS-10L SLIDE MITRE SAW

Original:

**GB**  
**Operating Instructions**

Translations:

**D**  
**Gebrauchsanleitung**

**F**  
**Mode d'emploi**



**Walter Meier (Fertigung) AG**

Bahnstrasse 24  
8603 Schwerzenbach  
Switzerland

Phone +41 44 806 47 48

Fax +41 44 806 47 58

[jetinfo.eu@waltermeier.com](mailto:jetinfo.eu@waltermeier.com)

[www.jettools.com](http://www.jettools.com)



M-10000826M

2009-12

**CE-Conformity Declaration  
CE-Konformitätserklärung  
Déclaration de Conformité CE**

**Product / Produkt / Produit:**

Slide Mitre saw / Kapp- und Gehrungssäge / Scie à onglet Radiale

**JSMS-10L**  
10000826M

**Brand / Marke / Marque:**

**JET**

**Manufacturer / Hersteller / Fabricant:**

TOOL FRANCE SARL  
9 Rue des Pyrénées, 91090 Lisses, France

We hereby declare that this product complies with the regulations  
Wir erklären hiermit, dass dieses Produkt der folgenden Richtlinie entspricht  
Par la présente, nous déclarons que ce produit correspond aux directives suivantes

**2006/42/EC**

Machinery Directive / Maschinenrichtlinie / Directive Machines

**2014/30/EU**

electromagnetic compatibility / elektromagnetische Verträglichkeit / compatibilité électromagnétique

**2011/65/EU**

RoHS directive / RoHS-Richtlinie / Directive RoHS

designed in consideration of the standards  
und entsprechend folgender zusätzlicher Normen entwickelt wurde  
et été développé dans le respect des normes complémentaires suivantes

**EN ISO 12100:2010**

**EN 61029-1:2009+A11:2010 / EN 61029-2-9:2009**

**EN 61000-3-2:2014 / EN 61000-3-11:2000**

**EN 55014-1: 2006/A2:2011 / EN 55014-2: 1997/A2:2008**

Responsible for the Documentation / Dokumentations-Verantwortung / Responsabilité de Documentation:

Head Product-Mgmt. / Leiter Produkt-Mgmt. / Resp. Gestion des Produits  
TOOL FRANCE SARL



2019-02-20 Christophe SAINT SULPICE , General Manager  
Tool France SARL

9 Rue des Pyrénées, 91090 Lisses, France

# GB - ENGLISH

## Operating Instructions

Dear Customer,

Many thanks for the confidence you have shown in us with the purchase of your new JET-machine. This manual has been prepared for the owner and operators of a JET **JSMS-10L slide mitre saw** to promote safety during installation, operation and maintenance procedures. Please read and understand the information contained in these operating instructions and the accompanying documents. To obtain maximum life and efficiency from your machine, and to use the machine safely, read this manual thoroughly and follow instructions carefully.

### ...Table of Contents

#### 1. Declaration of conformity

#### 2. Warranty

#### 3. Safety

Authorized use  
General safety notes  
Remaining hazards

#### 4. Machine specifications

Technical data  
Noise emission  
Contents of delivery

#### 5. Transport and start up

Transport and installation  
Assembly  
Mains connection  
Starting operation

#### 6. Machine operation

#### 7. Setup and adjustments

Changing the sawblade  
Laser adjustment  
Bevel stop adjustment  
Cutting depth adjustment

#### 8. Maintenance and inspection

#### 9. Troubleshooting

#### 10. Environmental protection

#### 11. Available accessories

### 1. Declaration of conformity

On our own responsibility we hereby declare that this product complies with the regulations\* listed on page 2. Designed in consideration with the standards\*\*.

### 2. Warranty

The Seller guarantees that the supplied product is free from material defects and manufacturing faults. This warranty does not cover any defects which are caused, either directly or indirectly, by incorrect use, carelessness, accidental damage, repair, inadequate maintenance or cleaning and normal wear and tear.

Guarantee and/or warranty claims must be made within twelve months from the date of purchase (date of invoice). Any further claims shall be excluded.

This warranty includes all guarantee obligations of the Seller and replaces all previous declarations and agreements concerning warranties.

The warranty period is valid for eight hours of daily use. If this is exceeded, the warranty period shall be reduced in proportion to the excess use, but to no less than three months.

Returning rejected goods requires the prior express consent of the Seller and is at the Buyer's risk and expense.

Further warranty details can be found in the General Terms and Conditions (GTC). The GTC can be viewed at [www.jettools.com](http://www.jettools.com) or can be sent by post upon request.

The Seller reserves the right to make changes to the product and accessories at any time.

### 3. Safety

#### 3.1 Authorized use

This machine is designed for sawing wood, wood derived materials as well as similar to be machined hard plastics only. Machining of other materials is not permitted and may be carried out in specific cases only after consulting with the manufacturer.

#### No metal workpieces may be machined.

For machining, the workpiece must allow to safely be loaded and supported.

The proper use also includes compliance with the operating and maintenance instructions given in this manual.

The machine must be operated only by persons familiar with its operation and maintenance and who are familiar with its hazards.

The required minimum age must be observed

The machine must only be used in a technically perfect condition

When working on the machine, all safety mechanisms and covers must be mounted.

In addition to the safety requirements contained in these operating instructions and your country's applicable regulations, you should observe the generally recognized technical rules concerning the operation of woodworking machines.

Any other use exceeds authorization. In the event of unauthorized use of the machine, the manufacturer renounces all liability and the responsibility is transferred exclusively to the operator.

#### 3.2 General safety notes

Woodworking machines can be dangerous if not used properly. Therefore the appropriate general technical rules as well as the following notes must be observed.

Read and understand the entire instruction manual before attempting assembly or operation.

Keep this operating instruction close by the machine, protected from dirt and humidity, and pass it over to the new owner if you part with the tool.

No changes to the machine may be made.

Daily inspect the function and existence of the safety appliances before you start the machine. Do not attempt operation in this case, protect the machine by unplugging the mains cord.

Do not lock the moving guard in the open position. Ensure that the movable guards operate freely without jamming.

Remove all loose clothing and confine long hair.

Before operating the machine, remove tie, rings, watches, other jewellery, and roll up sleeves above the elbows.

Wear safety shoes; never wear leisure shoes or sandals.

Always wear the approved working outfit:

- safety goggles
- ear protection
- dust protection

Do **not** wear gloves while operating this machine.

For the safe handling of saw blades wear work gloves.

Control the stopping time of the machine, it may not be longer than 10 seconds.

Do **NOT** stop the blade by forcing the machine or by using sideways pressure.

Insure that the workpiece does not roll when cutting round pieces. Use suitable table extensions and supporting aids for difficult to handle workpieces.

### **Never use just your hands for sawing**

Take care when slotting.

Always hold and guide the workpieces safely during machining.

Never cut pieces that are too small.

For safety reasons this machine requires the use of two hands and should not be operated standing on a staircase or leather.

Make sure that the motor ventilation holes are clean and open.

Install the machine so that there is sufficient space for safe operation and workpiece handling.

Keep work area well lighted.

The machine is designed to operate in closed rooms and must be placed stable on firm and levelled ground.

Make sure that the power cord does not impede work and cause people to trip.

Keep the floor around the machine clean and free of scrap material, oil and grease.

Stay alert!

Give your work undivided attention. Use common sense.

Keep an ergonomic body position. Maintain a balanced stance at all times.

Do not operate the machine when you are tired.

Do not operate the machine under the influence of drugs, alcohol or any medication. Be aware that medication can change your behaviour.

Keep children and visitors a safe distance from the work area.

Never reach into the machine while it is operating or running down.

Never leave a running machine unattended.

Before you leave the workplace switch off the machine.

Do not operate the electric tool near inflammable liquids or gases. Normal brushfire might ignite.

Observe the fire fighting and fire alert options, for example the fire extinguisher operation and place.

Do not use the machine in a dump environment and do not expose it to rain.

Wood dust is explosive and can also represent a risk to health.

Dust from some tropical woods in particular, and from hardwoods like beach and oak, is classified as a carcinogenic substance.

Always use a suitable dust extraction device

Before machining, remove any nails and other foreign bodies from the workpiece.

Specifications regarding the maximum or minimum size of the workpiece must be observed.

Do not force the power tool. It will do a better and safer job and give you much better service if it is used at the rate for which it was designed.

Do not remove chips and workpiece parts until the machine is at a complete standstill.

Never operate with the guards not in place – serious risk of injury!

Connection and repair work on the electrical system may be carried out by a qualified electrician only

Always unwind any extension cords fully.

Damaged extension cords replace immediately.

Do not use the power tool if the ON/OFF switch does not turn the power tool ON and OFF.

Make all machine adjustments or maintenance with the machine unplugged from the power source.

Select saw blade in relation to material to be cut.

Use only sawblades recommended by manufacturer.

Do not use blades made from High Speed Steel (HSS).

Remove defective saw blades immediately.

Use carbide-tipped sawblades with a negative chip angle only.

Never attempt to use ripping or combination blades with this saw.

When cutting thin walled stock, it is essential that you use a fine tooth blade of at least 80 teeth.

A coarse blade may hook into the stock and eject it.

This machine is not suitable for cutting steel and other metals.

Never attempt to cut round or irregular cross-section stock without using a suitable jig.

If the blade stalls, switch off immediately.

When using machine on a workstand, always clamp it down.

Always listen to the machine and switch off immediately if abnormal sounds are heard.

Keep the slide lock tight unless slide action is needed.

Ensure that the blade guard opens and closes smoothly.

Always support long pieces with an additional supporting stand of appropriate height.

Never carry tool by operating handle. Always use the carry handle or use two hands to carry by the base.

Always use approved eye and ear protection.

Keep hands away from blade at all times.

Replace table insert when worn.

Always unplug machine after use.

Do not stare into beam of laser

Do not point the laser beam at people or animals.

Do not use the laser beam on highly reflective materials. Reflected light is dangerous.

Repair work on the laser beam may only be carried out by a specialist.

### 3.3 Remaining hazards

When using the machine according to regulations some remaining hazards may still exist

The moving saw blade in the work area can cause injury.

Broken saw blades can cause injuries.

Thrown workpieces can lead to injury

Wood chips and sawdust can be health hazards. Be sure to wear personal protection gear such as safety goggles ear- and dust protection.

Use a suitable dust exhaust system.

The use of incorrect mains supply or a damaged power cord can lead to injuries caused by electricity. Avoid body contact with earthed or grounded surfaces (e.g. pipes, radiators, ranges and refrigerators).

**There is no substitute for a careful attentive operator. Conversely there is no safety device that can protect a careless operator in all situations.**

## 4. Machine specifications

### 4.1 Technical data

Saw blade size	254x 2,8x 30mm
No load speed	4500 rpm
Max cutting height 90°/45°	90/42mm
Max. cutting length 90°/45°	305/215mm
Bevel capacity left	0°-45°
Mitre capacity left/right	45°/45°
Dust extraction port d/D	30/40mm
Weight	18 kg
Mains	230V ~1L/N 50-60Hz
Motor input power	1500W
Reference current	6,5 A
Extension cord (H05VV-F)	2x1,0mm <sup>2</sup>
Installation fuse protection	10A

**The machine has double insulation in accordance with EN61029.**

Laser class 2	<1mW, 400-700nm
Laser power supply	3V by transformer

### 4.2 Noise emission

(Inspection tolerance 4 dB)

Acoustic power level  
(according to EN ISO 3746):  
Idling LwA 101,5 dB(A)

Acoustic pressure level  
(according to EN ISO 11202):  
Idling LpA 88,7 dB(A)

The specified values are emission levels and are not necessarily to be seen as safe operating levels. This information is intended to allow the user to make a better estimation of the hazards and risks involved.

### 4.3 Content of delivery

- 1 slide mitre saw
- 1 dust extraction bag
- 1 workpiece clamp
- 2 table extension pieces
- 1 length gauge
- 1 spanner 13mm
- 1 sawblade
- Operating manual
- Spare parts list

### 4.4 Mitre saw description

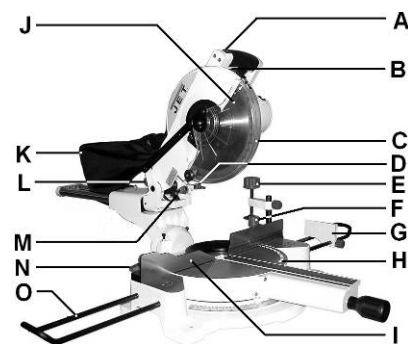


Fig 1

- A....Laser ON/OFF switch
- B....Handgrip with switch button
- C....Protective cover for blade
- D....Cutting head lock button
- E.....Workpiece clamp
- F....Miter lock knob
- G....Length gauge
- H....Machine table
- I....Workpiece fence
- J....Sawblade
- K.....Dust bag
- L.....Slide lock knob
- M....Line laser
- N....bevel lock knob
- O....Table extensions
- P....Unlock button
- Q....Cutting depth adjustment
- U....Spindle lock button

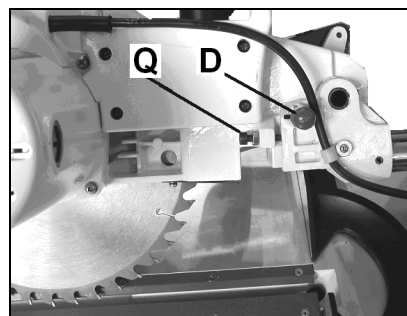


Fig 2

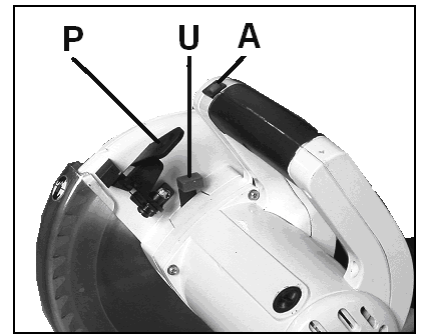


Fig 3

## 5. Transport and start up

### 5.1 Transport and installation

The machine is designed to operate in closed rooms and must be placed stable on firm and levelled surface. The machine can be bolted down if required.

For packing reasons the machine is not completely assembled.

### 5.2 Assembly

If you notice any transport damage while unpacking, notify your supplier immediately. Do not operate the machine!

Dispose of the packing in an environmentally friendly manner.

Clean all rust protected surfaces with a mild solvent.

### Mounting the table extensions

Mount the length gauge (B, Fig 4) to the left or right table extension.

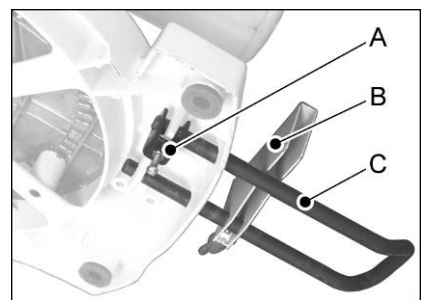


Fig 4

Use the clamping pieces (A) to lock the table extensions (C) in place.

### Mounting the dust bag

Use the dust bag (K, Fig 1) to collect the dust emissions. You can slide the dust bag onto the dust port on the rear of the machine.

The dust port is also suitable for the connecting to a dust collector.

### Unlocking the cutting head

The mitre saw is supplied with the cutting head in locked position. The cutting head lock button (D, Fig 2) can be pulled out by pushing the cutting head down at the same time. Allow the cutting head to slowly rise.

The cutting head should be relocked for transportation.

### 5.3 Mains connection

Mains connection and any extension cords used must comply with applicable regulations.

The mains voltage and frequency must comply with the information on the machine licence plate.

The mains connection must have a 10A surge-proof fuse.

Only use power cords marked H05VV-F

Connections and repairs to the electrical equipment may only be carried out by qualified electricians.

### 5.4 Starting operation

You can start the machine by pressing the trigger (B, Fig 1) on the handle with your fingers. To stop the saw release the trigger.

## 6. Machine operation

### Correct working position:

In front of the machine standing in the direction of cutting (Fig 5)

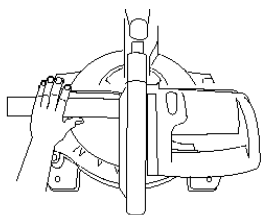


Fig 5

Keep your face and body to one side of the blade, out of line with a possible debris throwback.

Never cross your arms or place your hands near the cutting area.

Don't overreach; keep good footing and balance.

Do not cut short workpieces. You cannot properly hold a short workpiece.

### Workpiece handling:

Support long workpieces with helping roller stands.

During cutting operation the workpiece must be locked down to the table with the workpiece clamp.

Do not perform any operation freehand.

Take care when slotting.

### Operating hints:

**Always observe the safety instructions and adhere to the current regulations.**

Set up mitre and bevel cut as desired.

Plug in (connect to mains).

Ensure that the saw blade protective cover is in the correct position before you start sawing.

The mitre saw is switched on by means of the trigger button that is situated on the inside of the handgrip (B, Fig 1).

The cutting blade must first reach the maximum rpm before cutting may begin.

### Cutting without slide: (slide locked)

Slide the unlock button (P, Fig 3) to the side and by using the handgrip, push the cutting head slowly and evenly downwards.

The cutting head must be returned carefully to its starting position after cutting.

### Cutting with slide:

For cutting wider stock slide action is necessary.

Loosen slide lock knob (L, Fig 1).

Pull the motor head towards you.

Slide the unlock button (P, Fig 2) to the side and by using the handgrip, push the cutting head slowly and evenly downwards.

Push the motor head forward in a slow steady motion to complete the cut.

Release trigger to stop the motor.

The cutting head must be returned carefully to its starting position after cutting.

### Attention:

The condition of the blade should be checked before each machining process.

Work only with a sharp and flawless sawblade.

Select saw blade in relation to material to be cut.

Use the workpiece clamp (E, Fig 1).

Use a suitable fixture to prevent round and irregular shaped timber from turning under the pressure of the cut.

Take care when slotting.

### Cutting wrapped material:

Wrapped or bowed material should be positioned so that the workpiece is supported near the cutting point by the workpiece fence (Fig 6).

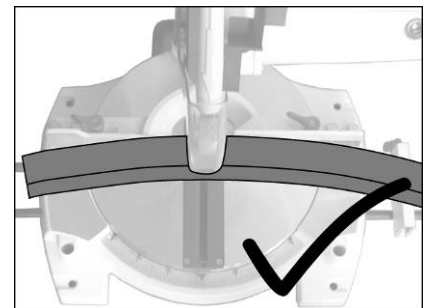


Fig 6

This operation is potentially dangerous (Fig 7).

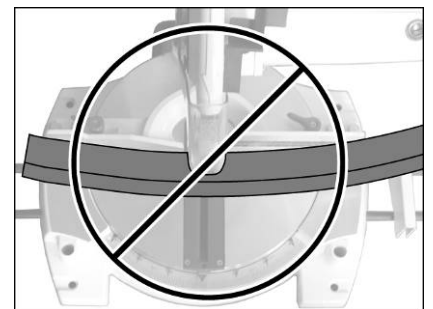
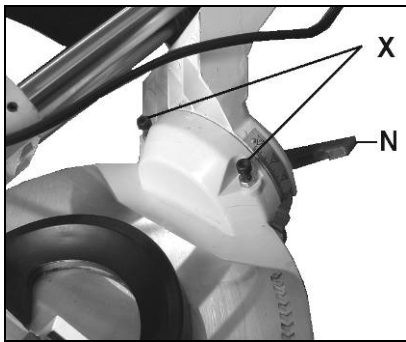


Fig 7

### Bevel cutting:

Bevel angle can be adjusted between 0° and 45°.

The bevel lock knob (N, Fig 8) on the rear of the machine must be loosened for bevel setting.



**Fig 8**

Tilt the cutting head to the left until the desired angle on the scale has been reached.

Retighten the cutting head lock knob before machine operation.

**Mitre cutting:**

The mitre angle can be adjusted between -45° and +45°.

The 2 mitre lock knobs (F, Fig 1) behind the fence must be loosened.

Rotate the cutting head until the desired angle on the table scale has been reached.

Retighten the table locking knobs before machine operation.

**Mitre bevel cutting:**

Select the correct bevel and mitre angles.

**7. Setup and adjustments**

**General note:**

**Setup and adjustment work may only be carried out after the machine is protected against accidental starting by pulling the mains plug.**

**7.1 Changing the sawblade**

The sawblade has to meet the technical specification.

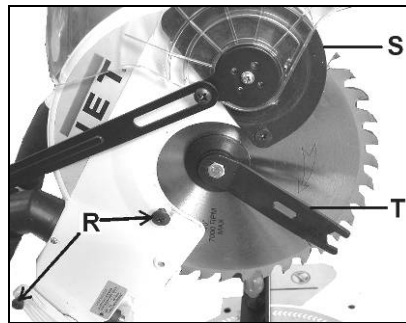
Check sawblade for flaws (cracks, broken teeth, bending) before installation. Do not use faulty sawblades.

The sawblade teeth must point in cutting direction (down)

Always wear suitable gloves when handling sawblades.

**The sawblades may only be changed when the mains plug is pulled!**

Remove the blade's protective cover by unscrewing the two screws (R, Fig 9) on the side and flip up the protective cover (S).



**Fig 9**

Press the spindle lock button (U, Fig 3) and loosen the sawblade clamping screw with the supplied spanner (T).

**Attention: Left hand tread**

Remove the outer clamping flange.

Replace the sawblade (J, Fig 1).

The teeth of the blade must point in the same direction as the arrow on the protective cover.

The flanges should be cleaned before the new blade is fitted.

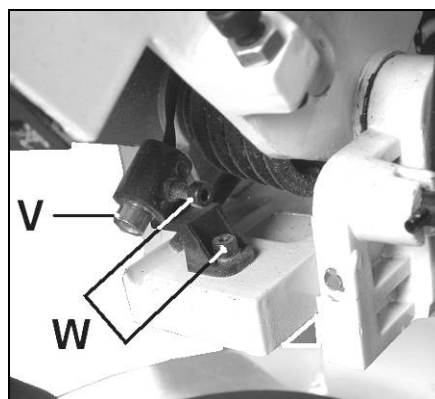
Fit the outer clamping flange back into position and tighten the clamping screw.

Reposition the plastic protective cover and tighten the two screws (R, Fig 9).

**7.2 Laser Adjustment**

The line laser (V, Fig 10) must be adjusted so that the beam meets the cutting line.

Use the screws (W) for adjustment



**Fig.10**

**Attention:**

**Class 2 laser product, do not stare into beam of laser.**

**7.3 Bevel Stop Adjustment**

The 90° and 45° bevel stops are adjusted ex works.

In case of need they can be adjusted with the screws (X, Fig 8)

**7.4 Cutting Depth Adjustment**

The cutting depth can be adjusted with the screw (Q, Fig2).

This allows a halve cut of the workpiece when cutting with slide.

**Attention:**

After each adjustment check the free movement of the sawblade before switching on the machine.

**8. Maintenance and inspection**

**General notes:**

**Maintenance, cleaning and repair work may only be carried out after the machine is protected against accidental starting by pulling the mains plug.**

Repair and maintenance work on the electrical system may only be carried out by a qualified electrician.

Repair work on the laser beam may only be carried out by a specialist.

Inspect the proper function of the dust extraction daily.

All protective and safety devices must be re-attached immediately after completed cleaning, repair and maintenance work.

Defective safety devices must be replaced immediately.

Replace table insert when worn.

**Cleaning:**

Clean the machine regularly.

Regularly clean the machine housing with a soft cloth preferably after each use.

Keep the ventilation slots free from dust and dirt.

If the dirt does not come off use a soft cloth moistened with soapy water.

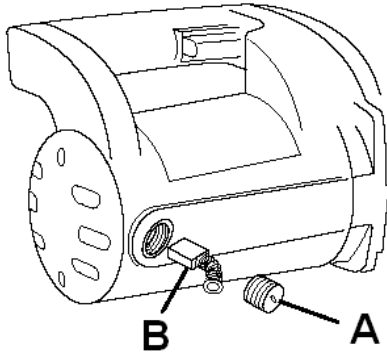
Never use solvents such as petrol, alcohol, ammoniac water, etc. These solvents may damage the plastic parts.

**Motor brushes:**

The collector brushes are due to wear and may need replacement.

- Disconnect the machine from the power source, pull mains plug.

-remove the brush covers (A, Fig 11).



**Fig 11**

-Replace the collector brushes (B) (Jet Article Number: JSMS10L-109 2 pieces needed).

-reattach the brush covers.

**Saw blades:**

Only use sharp saw blades.

Use carbide-tipped sawblades with a negative chip angle only.  
Never attempt to use ripping or combination blades with this saw.

When cutting thin walled stock, it is essential that you use a fine tooth blade of at least 80 teeth.

Replace a defective sawblade immediately.

The servicing of saw blades should only be performed by a trained person.

**9. Trouble shooting****Motor doesn't start**

\*No electricity-  
check mains and fuse.

\*Defective switch, motor or cord-  
consult an electrician.

\*Motor brushes worn-  
Replace brushes.

**Laser doesn't work**

\*Defective line laser or power supply-  
consult an electrician

**Machine vibrates excessively**

\*Stand on uneven surface-  
adjust base for even support.

\*sawblade damaged-  
replace sawblade immediately

**Cut is not square**

\*Bevel stop setting is bad.

\*Workpiece fence setting is bad

**Cutting surfaces is bad**

\*Wrong sawblade used

\*resin collection on sawblade

\*sawblade is dull

\*workpiece inhomogeneous

\*Feed pressure too high-

Do not force the workpiece.

**10. Environmental protection**

Protect the environment.

Your appliance contains valuable materials which can be recovered or recycled. Please leave it at a specialized institution.

**11. Available accessories**

Refer to the JET-Pricelist for various saw blades.



# DE - DEUTSCH

## Gebrauchsanleitung

Sehr geehrter Kunde,

vielen Dank für das Vertrauen, welches Sie uns beim Kauf Ihrer neuen JET-Maschine entgegengebracht haben. Diese Anleitung ist für den Inhaber und die Bediener zum Zweck einer sicheren Inbetriebnahme, Bedienung und Wartung der **Kapp- und Gehrungssäge JSMS-10L** erstellt worden. Beachten Sie bitte die Informationen dieser Gebrauchsanleitung und der beiliegenden Dokumente. Lesen Sie diese Anleitung vollständig, insbesondere die Sicherheitshinweise, bevor Sie die Maschine zusammenbauen, in Betrieb nehmen oder warten. Um eine maximale Lebensdauer und Leistungsfähigkeit Ihrer Maschinen zu erreichen befolgen Sie bitte sorgfältig die Anweisungen.

### Inhaltsverzeichnis

1. Konformitätserklärung
2. Garantieleistungen
3. Sicherheit  
Bestimmungsgemäße Verwendung  
Allgemeine Sicherheitshinweise  
Restrisiken
4. Maschinenspezifikation  
Technische Daten  
Schallemission  
Lieferumfang  
Beschreibung der Maschine
5. Transport und Inbetriebnahme  
Transport und Aufstellung  
Montage  
Elektrischer Anschluss  
Inbetriebnahme
6. Betrieb der Maschine
7. Rüst- und Einstellarbeiten  
Montage des Sägeblattes  
Linienlaser Einstellung  
Schwenkanschlag Einstellung  
Schnitttiefe Einstellung
8. Wartung und Inspektion
9. Störungsabhilfe
10. Umweltschutz
11. Lieferbares Zubehör

### 1. Konformitätserklärung

Wir erklären in alleiniger Verantwortlichkeit, dass dieses Produkt mit den auf Seite 2 angegebenen Richtlinien\* übereinstimmt. Bei der Konstruktion wurden folgende Normen\*\* berücksichtigt.

### 2. Garantieleistungen

Der Verkäufer garantiert, dass das gelieferte Produkt frei von Material- und Fertigungsfehlern ist. Diese Garantie trifft nicht auf jene Defekte zu, welche auf direkten oder indirekten, nicht fachgerechten Gebrauch, Unachtsamkeit, Unfallschaden, Reparatur, mangelhafte Wartung bzw. Reinigung sowie normalen Verschleiß zurückzuführen sind.

Garantie- bzw. Gewährleistungsansprüche müssen innerhalb von 12 Monaten ab dem Verkaufsdatum (Rechnungsdatum) geltend gemacht werden. Weitergehende Ansprüche sind ausgeschlossen.

Die vorliegende Garantie umfasst sämtliche Garantieverpflichtungen seitens des Verkäufers und ersetzt alle früheren Erklärungen und Vereinbarungen betreffend Garantien.

Die Garantiefrist gilt für eine tägliche Betriebszeit von 8 Stunden. Wird diese überschritten, so verkürzt sich die Garantiefrist proportional zur Überschreitung, jedoch höchstens auf 3 Monate.

Die Rücksendung beanstandeter Ware bedarf der ausdrücklichen vorherigen Zustimmung vom Verkäufer und geht auf Kosten und Gefahr des Käufers.

Die ausführlichen Garantieleistungen sind den Allgemeinen Geschäftsbedingungen (AGB) zu entnehmen. Die AGB sind unter [www.jettools.com](http://www.jettools.com) einzusehen oder werden auf Anfrage per Post zugestellt.

Der Verkäufer behält sich das Recht vor, jederzeit Änderungen am Produkt und Zubehör vorzunehmen.

### 3. Sicherheit

#### 3.1 Bestimmungsgemäße Verwendung

Die Maschine ist geeignet zum Sägen von Holz und Holzersatzstoffen, sowie diesen ähnlich zu bearbeitende harte Kunststoffe.

Die Bearbeitung anderer Werkstoffe ist nicht zulässig bzw. darf in Sonderfällen nur nach Rücksprache mit dem Maschinenhersteller erfolgen.

#### Es dürfen keine metallischen Werkstoffe bearbeitet werden.

Es dürfen nur Werkstücke bearbeitet werden welche sicher aufgelegt und festgehalten werden können.

Die bestimmungsgemäße Verwendung beinhaltet auch die Einhaltung der vom Hersteller angegebenen Betriebs- und Wartungsanweisungen.

Die Maschine darf ausschließlich von Personen bedient werden, die mit Betrieb und Wartung vertraut und über die Gefahren unterrichtet sind.

Das gesetzliche Mindestalter ist einzuhalten.

Die Maschine nur in technisch einwandfreiem Zustand benutzen.

Beim Arbeiten an der Maschine müssen sämtliche Schutzeinrichtungen und Abdeckungen montiert sein.

Neben den in der Gebrauchsanleitung enthaltenen Sicherheitshinweisen und den besonderen Vorschriften Ihres Landes sind die für den Betrieb von Holzbearbeitungsmaschinen allgemein anerkannten fachtechnischen Regeln zu beachten.

Jeder darüber hinaus gehende Gebrauch gilt als nicht bestimmungsgemäß und für daraus resultierende Schäden haftet der Hersteller nicht. Das Risiko trägt allein der Benutzer.

### 3.2 Allgemeine Sicherheitshinweise

Holzbearbeitungsmaschinen können bei unsachgemäßem Gebrauch gefährlich sein. Deshalb ist zum sicheren Betreiben die Beachtung der zutreffenden Unfallverhütungsvorschriften und der nachfolgenden Hinweise erforderlich.

Lesen und verstehen Sie die komplette Gebrauchsanleitung bevor Sie mit Montage oder Betrieb der Maschine beginnen.

Bewahren Sie die Bedienungsanleitung, geschützt vor Schmutz und Feuchtigkeit, bei der Maschine auf, und geben Sie sie an einen neuen Eigentümer weiter.

An der Maschine dürfen keine Veränderungen, An- und Umbauten vorgenommen werden.

Überprüfen Sie täglich vor dem Einschalten der Maschine die einwandfreie Funktion und das Vorhandensein der erforderlichen Schutzeinrichtungen.

Festgestellte Mängel an der Maschine oder den Sicherheitseinrichtungen sind zu melden und von den beauftragten Personen zu beheben. Nehmen Sie die Maschine in solchen Fällen nicht in Betrieb, sichern Sie die Maschine gegen Einschalten durch Ziehen des Netzsteckers.

Die bewegliche Schutzabdeckung darf nicht in der geöffneten Position festgeklemmt werden.

Zum Schutz von langem Kopfhaar Mütze oder Haarnetz aufsetzen.

Enganliegende Kleidung tragen, Schmuck, Ringe und Armbanduhren ablegen.

Tragen Sie Schutzschuhe, keinesfalls Freizeitschuhe oder Sandalen.

Verwenden Sie die durch Vorschriften geforderte persönliche Schutzausrüstung:  
- Augenschutz  
- Gehörschutz  
- Staubschutz

Beim Arbeiten an der Maschine **keine Handschuhe** tragen.

Zum Handhaben des Sägeblattes geeignete Arbeitshandschuhe tragen.

Achten Sie auf die Auslaufzeit der Maschine, sie darf in keinem Fall 10 s übersteigen.

Das Stoppen des Sägeblattes durch seitlichen Druck ist nicht zulässig.

Beim Sägen von Rundholz das Werkstück gegen Verdrehen sichern. Beim Sägen von unhandlichen Werkstücken geeignete Hilfsmittel zum Abstützen verwenden.

#### **Sägen Sie niemals aus der freien Hand.**

Bei Schlitzarbeiten ist besondere Vorsicht geboten.

Es ist darauf zu achten dass alle Werkstücke beim Bearbeiten sicher gehalten und sicher geführt werden.

Zu kleine Werkstücke nicht schneiden.

Aus Sicherheitsgründen benötigt diese Maschine den Gebrauch mit zwei Händen und sollte nicht benutzt werden, falls man auf Treppen steht.

Darauf achten dass die Motor-Lüftungsschlitze immer frei und sauber sind.

Die Maschine so aufstellen, dass genügend Platz zum Bedienen und zum Führen der Werkstücke gegeben ist.

Sorgen Sie für gute Beleuchtung.

Achten Sie darauf, dass die Maschine standsicher auf festem und ebenem Grund steht.

Beachten Sie dass die elektrische Zuleitung nicht den Arbeitsablauf behindert und nicht zur Stolperstelle wird.

Den Arbeitsplatz frei von behindernden Werkstücken, etc. halten.

Seien Sie aufmerksam und konzentriert. Gehen Sie mit Vernunft an die Arbeit.

Achten Sie auf ergonomische Körperhaltung. Sorgen Sie für sicheren Stand und halten Sie jederzeit das Gleichgewicht.

Arbeiten Sie niemals unter dem Einfluss von Rauschmitteln wie Alkohol und Drogen an der Maschine. Beachten Sie, dass auch Medikamente Einfluss auf Ihr Verhalten nehmen können.

Halten Sie Unbeteiligte, insbesondere Kinder vom Gefahrenbereich fern.

Niemals in die laufende Maschine greifen.

Die laufende Maschine nie unbeaufsichtigt lassen. Vor dem Verlassen des Arbeitsplatzes die Maschine ausschalten.

Benützen Sie die Maschine nicht in der Nähe von brennbaren Flüssigkeiten oder Gasen. Normales Bürstenfeuer könnte zur Entzündung führen.

Beachten Sie die Brandmelde- und Brandbekämpfungsmöglichkeiten z.B. Standort und Bedienung von Feuerlöschern.

Benützen Sie die Maschine nicht in feuchter Umgebung und setzen Sie sie nicht dem Regen aus.

Achten Sie stets darauf, dass keine zu große Staubkonzentration entsteht – verwenden Sie stets eine geeignete Absauganlage  
Holzstaub ist explosiv und kann gesundheitsschädigend sein. Insbesondere tropische Hölzer und harte Hölzer wie Buche und Eiche sind als krebserregend eingestuft.

Vor der Bearbeitung Nägel und andere Fremdkörper aus dem Werkstück entfernen.

Angaben über die min. und max. Werkstückabmessungen müssen eingehalten werden.

Die Maschine nicht überfordern. Sie arbeitet viel besser und hält länger, wenn sie der Leistung entsprechend eingesetzt wird.

Späne und Werkstückteile nur bei stehender Maschine entfernen.

Die Maschine nie bei entfernten Schutzeinrichtungen in Betrieb nehmen – große Verletzungsgefahr!

Arbeiten an der elektrischen Ausrüstung der Maschine dürfen nur durch eine Elektrofachkraft vorgenommen werden.

Verlängerungskabel immer ganz von der Trommel abwickeln.

Tauschen Sie ein beschädigtes Verlängerungskabel sofort aus.

Niemals Elektrowerkzeug benutzen, wenn der Ein-Ausschalter nicht ordnungsgemäß funktioniert.

Umrüst-, Einstell- und Reinigungsarbeiten nur im Maschinenstillstand und bei gezogener Netzstecker vornehmen.

Verwenden Sie nur Sägeblätter welche für das zu zerspanende Material geeignet sind.

Verwenden Sie nur vom Hersteller empfohlene Sägeblätter.

Sägeblätter aus Schnellarbeitsstahl (HSS) dürfen nicht benutzt werden.

Schadhafte Sägeblätter sofort ersetzen.

Verwenden Sie nur Sägeblätter mit negativem Spanwinkel.  
Keine Standard Sägeblätter verwenden.

Zum Schneiden dünnwandiger Werkstücke müssen feinzahnige Sägeblätter verwendet werden, mindesten 80 Zähne.  
Ein grobzahniges Sägeblatt kann sich im Werkstück verhaken und zu Gefährdungen führen

Die Säge ist nicht zum Schneiden von Metall geeignet.

Runde und unregelmäßig geformte Werkstücke nur mit speziellen Spanvorrichtungen bearbeiten.

Bei Überlast und Sägeblatt Stopp die Maschine sofort abschalten.

Beim Benutzen der Maschine auf einem Untergestell ist diese darauf festzuschrauben.

Schalten Sie die Maschine bei ungewöhnlichen Geräuschen sofort ab.

Klemmen Sie die Schlittenführung, wenn die Zugfunktion nicht benötigt wird.

Stellen Sie sicher, dass die Sägeblattschutzhaube leichtgängig öffnet und schließt.

Lange Werkstücke mit Rollenböcken abstützen.

Die Maschine niemals am Bediengriff tragen.

Die Maschine nur am Tragegriff tragen oder mit zwei Händen am Maschinensockel tragen.

Beim Arbeiten an der Maschine immer geeigneten Augen- und Ohrschutz verwenden.

Mit Händen und Fingern immer ausreichenden Abstand zum rotierenden Sägeblatt halten.

Eine verschlissene Tischeinlage sofort ersetzen.

Bei Nichtgebrauch der Maschine diese ausstecken.

Niemals in den Laserstrahl schauen.

Richten Sie den Laserstrahl nicht auf Personen oder Tiere.

Verwenden Sie den Linienlaser nicht bei stark reflektierendem Material.  
Reflektiertes Licht ist gefährlich.

Reparaturen am Linienlaser dürfen nur von einer Fachkraft ausgeführt werden.

### 3.3 Restrisiken

Auch bei vorschriftsmäßiger Benutzung der Maschine bestehen die nachfolgend aufgeführten Restrisiken:

Verletzungsgefahr durch das frei laufende Sägeblatt im Arbeitsbereich.

Gefährdung durch Bruch des Sägeblattes.

Gefährdung durch wegfliegende Werkstückteile.

Gefährdung durch Lärm und Staub.  
Unbedingt persönliche Schutzausrüstung wie Augen- Gehör- und Staubschutz tragen.  
Eine geeignete Absauganlage einsetzen!

Gefährdung durch Strom bei nicht ordnungsgemäßer Verkabelung.  
Körperkontakt mit geerdeten Geräten (z.B. Rohre, Heizkörper, Kochherde etc.) vermeiden.

**Vorsichtiges aufmerksames Arbeiten ist durch nichts zu ersetzen!**

## 4. Maschinenspezifikation

### 4.1 Technische Daten

Sägeblattgröße	254x 2,8x 30mm
Leerlaufdrehzahl	4500 U/min
Max. Schnitthöhe 90°/45°	90/42mm
Max. Schnittlänge 90°/45°	305/215mm
Sägeblattneigung	0°-45°
Tischschwenkung links/rechts	45°/45°
Absauganschluß d/D	30/40mm
Maschinengewicht	18 kg

Netzanschluss	230V ~1L/N 50-60Hz
Aufnahmeleistung	1500W
Betriebsstrom	6,5 A
Anschlussleitung(H05VV-F)	2x1,0mm <sup>2</sup>
Bauseitige Absicherung	10A

**Die Maschine ist gemäß EN61029 zweifach isoliert.**

Klasse 2 Laser	<1mW, 400-700nm
Stromversorgung	3V (Transformator)

### 4.2 Schallemission

(Messunsicherheitsfaktor 4 dB)

Schalleistungspegel (nach EN ISO 3746):	
Leerlauf	LwA 101,5 dB(A)

Schalldruckpegel (nach EN ISO 11202):	
Leerlauf	LpA 88,7 dB(A)

Die angegebenen Werte sind Emissionspegel und sind nicht notwendigerweise Pegel für sicheres Arbeiten.

Sie sollen dem Anwender der Maschine eine bessere Abschätzung der Gefährdung und des Risikos ermöglichen.

### 4.3 Lieferumfang

- 1 Kapp- und Gehrungssäge
- 1 Staubbeutel
- 1 Werkstückklemme
- 2 Verlängerungsstücke
- 1 Ablänganschlag
- 1 Ringschlüssel 13mm
- 1 Sägeblatt
- Gebrauchsanleitung
- Ersatzteilliste

### 4.4 Beschreibung der Maschine

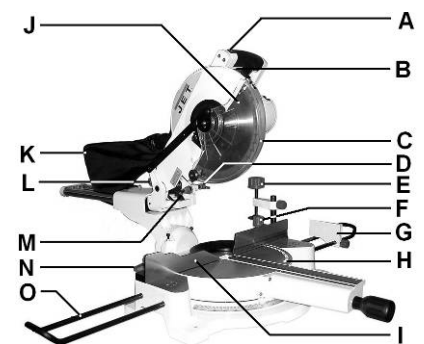


Fig 1

A.....Laser EIN/AUS Schalter

B....Handgriff mit Schalter

C....Sägeblattschutzhaube

D....Sägekopfverriegelungsbolzen

E.....Werkstückklemme

F.....Gehrungsklemmung

G....Ablänganschlag

H.....Maschinentisch

I.....Werkstückanschlag

J.....Sägeblatt

K.....Staubsack

L.....Schlittenklemmung

M.....Linienlaser

N....Schwenkklemmung

O....Verlängerungsstücke

P.....Entriegelungsschalter

Q....Schnitttiefe Einstellung

U....Sägewellenverriegelungstaster

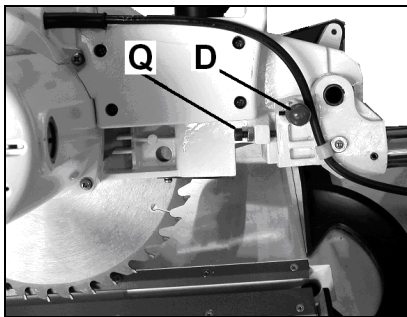


Fig 2

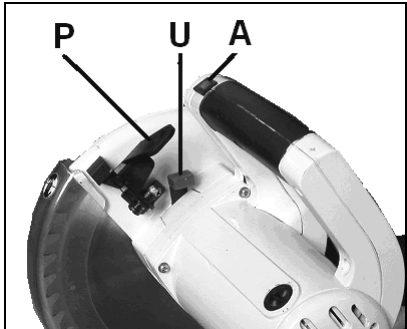


Fig 3

## 5. Transport und Inbetriebnahme

### 5.1. Transport und Aufstellung

Die Aufstellung der Maschine sollte in geschlossenen Räumen erfolgen, tischlerübliche Bedingungen in der Werkstatt sind dabei ausreichend.

Die Aufstellfläche muss ausreichend eben und belastungsfähig sein. Die Maschine kann bei Bedarf auf der Aufstellfläche befestigt werden.

Aus verpackungstechnischen Gründen ist die Maschine nicht komplett montiert.

### 5.2 Montage

Wenn Sie beim Auspacken einen Transportschaden feststellen benachrichtigen Sie umgehend Ihren Händler, nehmen Sie das Gerät nicht in Betrieb!

Entsorgen Sie die Verpackung bitte umweltgerecht.

Entfernen Sie das Rostschutzfett vom Maschinentisch mit einem milden Lösungsmittel.

### Montage der Verlängerungsstücke

Den Ablänganschlag (B, Fig 4) auf der gewünschten Seite aufschieben.

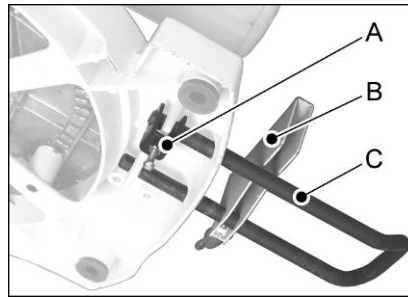


Fig 4

Die Verlängerungsstücke (C) mit den Blechbügeln (A) im Maschinensockel festklemmen.

### Montage des Staubsackes

Verwenden Sie zum Auffangen von Spänen und Staub den Staubsack (K, Fig 1).

Der Staubsack kann über den Anschluss an der Rückseite der Maschine geschoben werden.

An diesen Anschluss kann auch eine Absauganlage angeschlossen werden.

### Entriegelung des Sägekopfes

Die Maschine wird standardmäßig mit verriegeltem Sägekopf geliefert.

Der Sägekopfverriegelungsbolzen (D, Fig 2) kann herausgezogen werden. Lassen Sie den Sägekopf langsam nach oben gleiten.

Während des Transports der Maschine muss der Sägekopf wieder verriegelt werden.

### 5.3 Elektrischer Anschluss

Der kundenseitige Netzanschluss sowie die verwendeten Verlängerungsleitungen müssen den Vorschriften entsprechen.

Die Netzspannung und Frequenz müssen mit den Leistungsschilddaten an der Maschine übereinstimmen.

Die bauliche Absicherung muss 10A betragen.

Verwenden Sie nur Anschlussleitungen mit Kennzeichnung H05VV-F.

Anschlüsse und Reparaturen der elektrischen Ausrüstung dürfen nur von einer Elektrofachkraft durchgeführt werden.

### 5.4 Inbetriebnahme

Mit dem Schalter am Handgriff (B, Fig 1) kann die Maschine gestartet werden.

Sobald Sie den Schalter loslassen wird damit die Maschine stillgesetzt.

## 6. Betrieb der Maschine

### Richtige Arbeitsstellung:

Vor der Maschine in Schnittrichtung stehend (Fig 5)

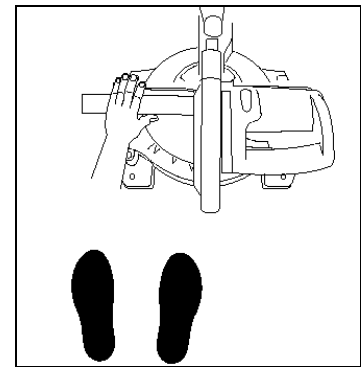


Fig 5

Bleiben Sie mit Kopf und Körper seitlich vom Sägeblatt, ausserhalb der Späne-Flugrichtung

Überkreuzen Sie niemals Ihre Arme, halten Sie immer ausreichend Abstand zum Schnittbereich.

Sorgen Sie für Ihre Standsicherheit.

Sägen Sie keine kurzen Werkstücke, sie können nicht sicher geklemmt werden.

### Werkstückhandhabung:

Lange Werkstücke durch Rollenböcke abstützen.

Während des Sägens muss das Werkstück mit der Werkstückklemme fest auf den Tisch geklemmt werden.

Sägen Sie niemals aus der freien Hand.

Bei Schlitzarbeiten ist besondere Vorsicht geboten.

### Bedienung:

**Berücksichtigen Sie immer die Sicherheitsanweisungen und halten Sie sich an die geltenden Vorschriften.**

Kapp- und Gehrungseinstellungen vornehmen.

Netzverbindung herstellen (Maschine einstecken).

Gewährleisten Sie, dass die Schutzhaube für das Sägeblatt in der richtigen Position steht, bevor Sie mit dem Sägen beginnen.

Die Trennsäge wird mit dem Schalter an der Innenseite des Handgriffs (B, Fig 1) in Betrieb genommen.

Das Sägeblatt muss die volle Drehzahl erreichen, bevor Sie mit dem Sägen beginnen können.

### Schnitt ohne Zugfunktion (Schlittenführung geklemmt)

Schieben Sie den Entriegelungsschalter (P, Fig 3) zur Seite und drücken Sie den Sägekopf mit dem Handgriff langsam und gleichmäßig nach unten.

Nach Beendigung des Sägens, muss der Sägekopf wieder in die Ausgangsposition zurückgebracht werden.

### Schnitt mit Zugfunktion

Zum Ausführen längerer Schnitte ist die Zugfunktion erforderlich.

Lösen Sie die Schlittenklemmung (L, Fig 1).

Ziehen Sie den Sägekopf zu sich.

Schieben Sie den Entriegelungsschalter (P, Fig 2) zur Seite und drücken Sie den Sägekopf mit dem Handgriff langsam und gleichmäßig nach unten.

Führen Sie den weiteren Schnitt aus indem Sie den Sägekopf langsam und gleichmäßig vorschieben.

Stoppen Sie den Motor.

Nach Beendigung des Sägens, muss der Sägekopf wieder in die Ausgangsposition zurückgebracht werden.

### Achtung:

Kontrollieren Sie vor jeder Bearbeitung zuerst den Zustand des Sägeblattes.

Nur mit scharfem fehlerfreiem Sägeblatt arbeiten!

Arbeiten Sie immer mit der Werkstückklemme (E, Fig 1).

Beim Sägen von Rundholz das Werkstück gegen Verdrehen sichern. Beim Sägen von unhandlichen Werkstücken geeignete Hilfsmittel zum Abstützen verwenden.

### Schnitt von krummem Werkstück:

Das krumme oder gebogene Werkstück muss so positioniert werden, dass die Schnittstelle vom Werkstückanschlag abgestützt wird (Fig 6).

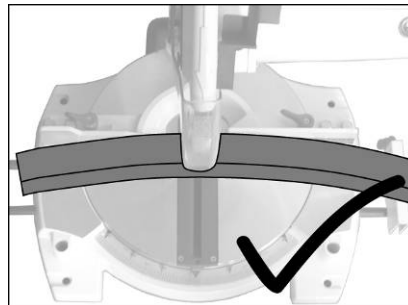


Fig 6

Diese Operation ist potentiell gefährlich (Fig 7).

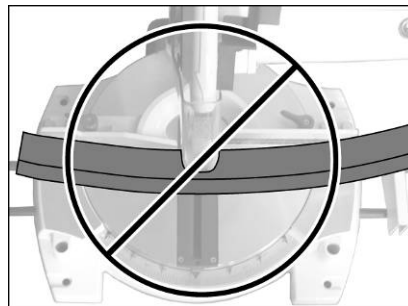


Fig 7

### Schräger Kappschnitt:

Der Sägekopf kann in einem Winkel von 0° bis 45° eingestellt werden.

Der Klemmhebel (N, Fig 8) auf der Rückseite der Maschine muss zur Verstellung gelöst werden.

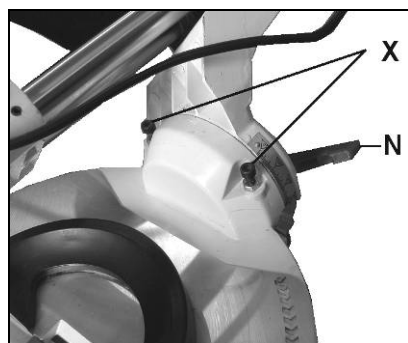


Fig 8

Vor dem Schnitt wieder festziehen.

### Gehrungsschnitt:

Der Sägekopf kann in einem Winkel von -45° bis +45° eingestellt werden.

Die 2 Klemmgriffe (F, Fig 1) hinter dem Werkstückanschlag müssen gelöst werden.

Der Sägekopf kann in die gewünschte Winklereinstellung gebracht werden.

Drehen Sie die 2 Klemmgriffe wieder fest, bevor Sie mit dem Sägen beginnen.

### Kombinierter Schrägschnitt:

Wählen Sie die gewünschte Kapp- und Gehrungseinstellung.

## 7. Rüst- und Einstellarbeiten

### Allgemeine Hinweise:

**Vor Rüst- und Einstellarbeiten muss die Maschine gegen Inbetriebnahme gesichert werden. Netzstecker ziehen.**

### 7.1 Montage des Sägeblattes

Das Sägeblatt muss den angegebenen technischen Daten entsprechen.

Das Sägeblatt vor dem Auflegen auf Fehler überprüfen (Risse, schadhafte Zähne, Verbiegung). Fehlerhafte Sägeblätter nicht verwenden.

Achten Sie darauf, dass die Zähne des Sägeblattes in Schnittrichtung (abwärts) zeigen.

Zum Handhaben des Sägeblattes immer geeignete Arbeitshandschuhe tragen.

**Der Sägeblattwechsel darf nur bei gezogenem Netzstecker erfolgen.**

Entfernen Sie die Sägeblattschutzhaube, indem Sie die beiden Schrauben (R, Fig 9) an der Seite der Schutzhaube lösen und die Schutzhaube hochklappen (S).

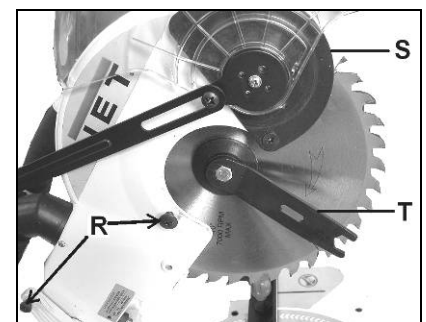


Fig 9

Verriegeln Sie die Sägewelle mit dem Sägewellenverriegelungstaster (U, Fig 3) und lösen Sie die Spannschraube mit dem gelieferten Ringschlüssel (T).

### Achtung: Linksgewinde

Entfernen Sie den Aussenflansch.

Tauschen Sie das Sägeblatt (J, Fig 1) aus.

Die Zähne des Sägeblattes müssen in Richtung des Pfeils auf der Schutzhaube zeigen.

Bevor Sie das Sägeblatt montieren, müssen die Flansche gereinigt werden.

Bringen Sie den Aussenflansch wieder in Position und ziehen Sie mit dem Ringschlüssel die Spanschraube fest.

Montieren Sie die Sägeblattsschutzhaube mit den beiden Schrauben (R, Fig 9).

## 7.2 Linienlaser Einstellung

Der Linienlaser (V, Fig 10) muss so eingestellt werden dass der Laserstrahl die Schnittlinie anzeigt.

Die Einstellung mit den Schrauben (W) vornehmen.

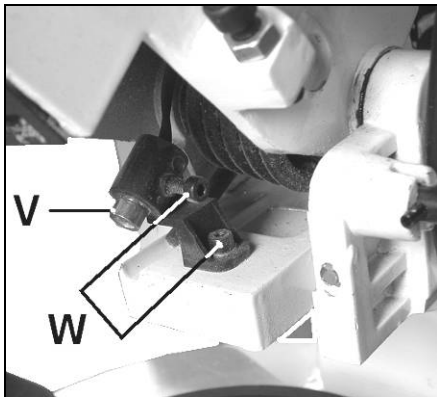


Fig 10

### Achtung:

Klasse 2 Laser, niemals in den Laserstrahl schauen.

## 7.3 Schwenkanschlag Einstellung

Die 90° und 45° Schwenkanschläge sind ab Werk voreingestellt.

Bei Bedarf Nachjustierung an den Schrauben (X, Fig 8) vornehmen.

## 7.4 Schnitttiefe Einstellung

Die Schnitttiefe kann mit der Schraube (Q, Fig2) eingestellt werden.

Dadurch sind bei Verwendung der Zugfunktion Teilschnitte möglich.

### Achtung:

Prüfen Sie nach jeder Verstellung die freie Bewegung des Sägeblattes bevor Sie die Maschine einschalten.

## 8. Wartung und Inspektion

**Allgemeine Hinweise:**  
**Vor Wartungs- Reinigungs- und Reparaturarbeiten muss die Maschine gegen Inbetriebnahme gesichert werden.**  
**Netzstecker ziehen!**

Anschlüsse und Reparaturen der elektrischen Ausrüstung dürfen nur von einer Elektrofachkraft durchgeführt werden.

Reparaturen am Linienlaser dürfen nur von einer Fachkraft ausgeführt werden.

Prüfen Sie täglich die ausreichende Funktion der Absaugung.

Alle Schutzvorrichtungen nach erfolgter Wartung, Reinigung und Reparatur sofort wieder anbringen.

Ersetzen Sie beschädigte Schutzvorrichtungen sofort.

Eine verschlissene Tischeinlage sofort ersetzen.

### Reinigung:

Reinigen Sie die Maschine regelmäßig.

Reinigen Sie das Maschinengehäuse regelmäßig mit einem weichen Tuch, vorzugsweise nach jedem Einsatz.

Halten Sie die Lüftungsschlitze frei von Staub und Schmutz.

Entfernen Sie hartnäckigen Schmutz mit einem weichen, mit Seifenwasser angefeuchteten Tuch.

Verwenden Sie keine Lösungsmittel wie Benzin, Alkohol, Ammoniak usw. Derartige Stoffe beschädigen die Kunststoffteile.

### Kollektorbürsten:

Die Kollektorbürsten des Motors unterliegen dem Verschleiß und müssen gegebenenfalls ersetzt werden.

- Die Stromzufuhr durch Ziehen des Netzsteckers trennen.

- Bürstendeckel abschrauben (A, Fig 11).

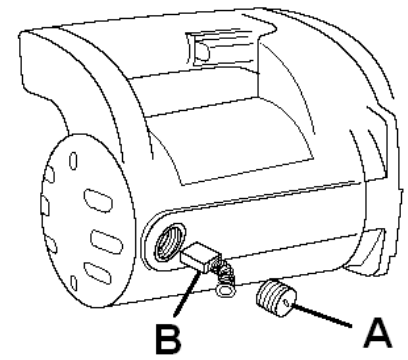


Fig 11

- Neue Kollektorbürsten einsetzen (Jet Teilenummer: JSMS10L-109 ...2 Stück erf.).

- Bürstendeckel wieder anbringen.

### Sägeblätter:

Verwenden Sie nur ausreichend geschärfte Sägeblätter.

Verwenden Sie nur Sägeblätter mit negativem Spanwinkel.

Keine Standard Sägeblätter verwenden.

Zum Schneiden dünnwandiger Werkstücke müssen feinzahnige Sägeblätter verwendet werden (mindestens 80 Zähne).

Schadhafte Sägeblätter sofort ersetzen.

Die Sägeblattpflege sollte nur ausgebildetem Personal anvertraut werden.

## 9. Störungsabhilfe

### Motor startet nicht

\*Kein Strom-Zuleitung und Sicherung prüfen.

\*Kollektorbürsten verschlissen-Kollektorbürsten tauschen.

\*Motor, Schalter oder Kabel defekt-Elektrofachkraft kontaktieren.

### Linienlaser leuchtet nicht

\*Linienlaser oder Stromzufuhr defekt-Elektrofachkraft kontaktieren.

### Starke Maschinenvibrationen

\*Maschine steht uneben-Ausgleich schaffen.

\*Sägeblatt beschädigt-Sägeblatt sofort ersetzen.

### Schnittwinkel nicht 90°

\*Schwenkanschlag falsch eingestellt  
\*Werkstückanschlag falsch eingestellt

### **Schnittbild ist schlecht**

- \*Falsches Sägeblatt gewählt
  - \*verharztes Sägeblatt
  - \*Sägeblatt stumpf
  - \*Werkstück inhomogen
- \*Vorschubdruck zu hoch-  
Bearbeitung nie erzwingen.

### **10. Umweltschutz**

Schützen Sie die Umwelt!

Ihr Gerät enthält mehrere  
unterschiedliche , wieder verwertbare  
Werkstoffe.

Bitte entsorgen Sie es nur an einer  
spezialisierten Entsorgungsstelle.

### **10. Lieferbares Zubehör**

Sägeblätter unterschiedlicher  
Zahnung finden Sie in der Jet  
Preisliste.

# FR - FRANCAIS

## Mode d'emploi

Cher client,

Nous vous remercions de la confiance que vous nous portez avec l'achat de votre nouvelle machine JET. Ce manuel a été préparé pour l'opérateur de la **scie radiale à onglet JSMS-10L**. Son but, mis à part le fonctionnement de la machine, est de contribuer à la sécurité par l'application des procédés corrects d'utilisation et de maintenance. Avant de mettre l'appareil en marche, lire les consignes de sécurité et de maintenance dans leur intégralité. Pour obtenir une longévité et fiabilité maximales de votre scie, et pour contribuer à l'usage sûr de la machine, veuillez lire attentivement ce mode d'emploi et suivre les instructions.

### Table des Matières

#### 1. Déclaration de conformité

#### 2. Prestations de garantie

#### 3. Sécurité

Utilisation conforme  
Consignes de sécurité  
Risques

#### 4. Spécifications

Indications techniques  
Emission de bruit  
Contenu de la livraison  
Description de la machine

#### 5. Transport et montage

Transport  
Montage  
Raccordement au réseau électr.  
Mise en exploitation

#### 6. Fonctionnement de la machine

#### 7. Réglages

Montage de la lame  
Réglage du laser de guidage  
Réglage du guide d'inclinaison  
Réglage de la profondeur de coupe

#### 8. Entretien et inspection

#### 9. Détecteur de pannes

#### 10. Protection de l'environnement

#### 11. Accessoires

### 1. Déclaration de conformité

Par le présent et sous notre responsabilité exclusive, nous déclarons que ce produit satisfait aux normes conformément aux lignes directrices indiquées page 2.

### 2. Prestations de garantie

Le vendeur garantit que le produit livré est exempt de défauts de matériel et de fabrication. La présente garantie ne s'applique pas aux défauts résultant d'une utilisation incorrecte directe ou indirecte, de l'inattention, d'un accident, d'une réparation, d'une maintenance ou d'un nettoyage insuffisant, ou encore de l'usure normale.

Il est possible de faire valoir des prétentions en garantie dans les 12 mois suivant la date de la vente (date de la facture). Toute autre prétention est exclue.

La présente garantie comprend toutes les obligations de garantie incombant au vendeur et remplace toutes les déclarations et conventions antérieures en termes de garanties.

Le délai de garantie s'applique pour une durée d'exploitation de huit heures par jour. Au-delà, le délai de garantie diminue proportionnellement au dépassement, mais pas en deçà de trois mois.

Le renvoi d'une marchandise faisant l'objet d'une réclamation requiert l'accord préalable exprès du vendeur et s'effectue aux frais et aux risques de l'acheteur.

Les prestations de garantie détaillées figurent dans les Conditions générales (CG). Ces dernières sont disponibles sur [www.jettools.com](http://www.jettools.com) ou peuvent être envoyées par la poste sur demande.

Le vendeur se réserve le droit de modifier à tout moment le produit et les accessoires.

### 3. Sécurité

#### 3.1 Utilisation conforme

Cette scie convient au sciage du bois et des dérivés du bois ainsi qu'aux caoutchoucs d'une dureté similaire.

Le travail d'autres matériaux est interdit et ne peut être effectué que dans des cas spéciaux et après accord du fabricant de la machine.

#### La machine n'est pas conçue pour le sciage de matériaux métalliques.

La pièce doit se laisser poser et fixer sans problème.

L'utilisation conforme implique le strict respect des instructions de service et de maintenance indiquées dans ce manuel.

La machine doit être exclusivement utilisée par des personnes familiarisées avec le fonctionnement, la maintenance et la remise en état, et qui sont informées des dangers correspondants.

L'âge requis par la loi est à respecter.

La machine ne doit être utilisée que si elle est en parfait état.

N'utiliser la machine que si tous les dispositifs de sécurité et de protection sont en place.

Toutes les directives relatives à la prévention des accidents ainsi que les consignes de sécurité doivent être scrupuleusement respectées.

En cas d'utilisation non-conforme de la machine, le fabricant décline toute responsabilité qui est en tel cas rejetée exclusivement sur l'utilisateur.

#### 3.2 Consignes de sécurité

L'utilisation non-conforme d'une scie peut être très dangereuse. C'est pourquoi vous devez lire attentivement ce mode d'emploi avant de monter ou d'utiliser votre appareil.



Conserver à proximité de la machine tous les documents fournis avec l'outillage (dans une pochette en plastique, à l'abri de la poussière, de l'huile et de l'humidité) et veiller à joindre cette documentation si vous cédez l'appareil.

Ne pas effectuer de modifications à la machine. Utiliser les accessoires recommandés, des accessoires incorrects peuvent être dangereux.

Chaque jour avant d'utiliser la machine, contrôler les dispositifs de protection et le fonctionnement impeccable.

En cas de défauts à la machine ou aux dispositifs de protection avvertir les personnes compétentes et ne pas utiliser la machine. Déconnecter la machine du réseau.

Le dispositif de protection mobile ne peut pas être fixé en position ouverte.

Avant de mettre la machine en marche, retirer cravate, bagues, montre ou autres bijoux et retrousser les manches jusqu'aux coudes. Enlever tous vêtements flottants et nouer les cheveux longs.

Porter des chaussures de sécurité, surtout pas de tenue de loisirs ou de sandales.

Porter équipement de sécurité personnel pour travailler à la machine :

- des lunettes protectrices,
- une protection acoustique
- une masque anti poussier.

Ne pas porter **de gants**.

Pour manœuvrer les lames porter des gants appropriés.

Le temps de freinage de la machine ne doit pas dépasser 10 secondes.

Ne pas arrêter la lame en forçant sur la scie ou en utilisant de la pression latérale.

Pour le sciage de bois ronds s'assurer que la pièce ne peut pas tourner.

Pour le sciage de pièces difficiles à manœuvrer, utiliser un support.

**Ne jamais scier en tenant la pièce seulement dans la main.**

Il faut être très prudent lors de tous travaux d'encoche ou de fente.

Bien tenir et guider les pièces pendant le travail.

Ne jamais couper des pièces trop petites.

Pour des raisons de sécurité, il faut travailler sur cette machine avec les deux mains. Elle ne doit pas être utilisée par une personne se trouvant sur une marche.

S'assurer que les fentes de ventilation sont toujours propres et sans poussières.

Placer la machine de sorte à laisser un espace suffisant pour la manœuvre et le guidage des pièces à usiner.

Veiller à un éclairage suffisant.

Placer la machine sur un sol stable et plat.

S'assurer que le câble d'alimentation ne gêne pas le travail ni ne risque de faire trébucher l'opérateur.

Conserver le sol autour de la machine propre, sans déchets, huile ou graisse.

Prêter une grande attention à votre travail et rester concentré.

Eviter toute position corporelle anormale.

Veiller à une position stable et garder un bon équilibre à tout moment.

Ne pas travailler sous l'influence de drogues, d'alcool ou de médicaments.

Eloigner de la machine toutes personnes incompetentes, surtout les enfants.

Ne jamais mettre la main dans la machine pendant le travail.

Ne jamais laisser la machine en marche sans surveillance. Arrêter la machine avant de quitter la zone de travail.

Ne pas mettre la machine à proximité de liquides ou de gaz inflammables. De simples étincelles aux balais peuvent produire une inflammation.

Tenir compte des possibilités de prévention et de lutte d'incendie, par ex. lieu et utilisation des extincteurs.

Préserver la machine de l'humidité et ne jamais l'exposer à la pluie.

Utiliser un collecteur de poussières afin d'éviter une production de poussières trop élevée.

La poussière de bois est explosive et peut être nocive pour la santé.

Les poussières de certains bois exotiques et de bois durs, tels que le hêtre et le chêne sont classées comme étant cancérogènes.

Retirer les clous et autres corps étrangers de la pièce avant de débiter l'usinage.

Se tenir aux spécifications concernant la dimension maximale ou minimale de la pièce à usiner.

Ne pas faire forcer le moteur. Votre scie vous rendra de meilleurs services et donnera de meilleurs résultats, sans nuire à la sécurité, si elle est utilisée selon la fréquence pour laquelle elle a été conçue.

Ne pas enlever les copeaux et les pièces usinées avant que la machine ne soit à l'arrêt.

Ne jamais mettre la machine en service sans les dispositifs de protection – risque de blessures graves!

Tous travaux de branchement et de réparation sur l'installation électrique doivent être exécutés uniquement par un électricien qualifié.

Toujours dérouler entièrement les rallonges.

Remplacer immédiatement les rallonges endommagées.

Ne pas utiliser la scie, si l'interrupteur ON/OFF n'arrête ni ne met la scie en marche de manière effective.

Faire tous les travaux de réglage ou de maintenance seulement après avoir débranché la machine du réseau.

S'assurer que la lame choisie correspond bien au matériau à travailler.

Utilisez uniquement les lames de scie recommandées par le fabricant.

Ne pas utiliser de lames en acier rapide.

Remplacer immédiatement toutes lames endommagées.

N'utiliser que des lames à angle de dégagement négatif  
Ne pas utiliser de lames standard.

Pour couper des parois minces, utiliser des lames à denture fine, au minimum 80 dents

Une grosse denture peut s'accrocher dans la pièce et être source de dangers

La machine n'est pas conçue pour le sciage de matériaux métalliques.

Ne travailler des pièces rondes ou irrégulières qu'avec un dispositif de serrage spécial.

Arrêter immédiatement la machine en cas de surcharge ou d'arrêt de la lame.

Si la machine est posée sur un support, il faut la fixer sur celui-ci avec des vis.

En cas de bruit inhabituel, il faut arrêter immédiatement la machine.

Bloquer les glissières du chariot, quand la fonction de traction n'est pas utilisée.

S'assurer que le carter de la lame de scie s'ouvre et se referme facilement.

Utiliser des rallonges de table pour le travail des pièces longues.

Ne jamais porter la machine par la poignée.

Il faut la soulever avec les deux mains en la tenant par le socle.

Pour travailler sur la machine, toujours porter des protections adéquates pour les yeux et les oreilles.

Tenir les mains et les doigts à une distance suffisante de la lame en mouvement.

Toute grille de scie usée doit être remplacée.

Si la machine n'est pas utilisée, il faut la déconnecter du réseau électrique.

Ne jamais regarder dans le rayon laser.

Ne jamais pointer le rayon laser vers des personnes ou des animaux.

Ne pas utiliser le laser de guidage en liaison avec des matériaux fortement réfléchissants. La lumière réfléchie est dangereuse.

Les réparations au niveau du laser de guidage doivent uniquement être réalisées par un spécialiste.

### 3.3 Risques

Même en respectant les directives et les consignes de sécurité les risques suivants existent.

Danger de blessures par une lame en travaillant sans dispositif de protection.

Danger par rupture de la lame.

Danger de pièces éjectées.

Risque de nuisance par poussières de bois, copeaux et bruit.

Porter équipement de sécurité personnel tel que lunettes, cache-visage pour travailler à la machine. Utiliser un collecteur de poussières!

Danger par câble électrique endommagé, usé ou mal branché. Éviter le contact du corps avec les surfaces conductrices ou reliées à la terre ( ex. tuyaux, radiateurs, enfilades et réfrigérateurs.)

**L'attention et la prudence dans le travail sont irremplaçables!**

## 4. Spécifications JSMS-10L

### 4.1 Indications techniques

Dimensions de lame 254x 2,8x 30mm  
Vitesse rot. course libre 4500 T/min  
Hauteur max. coupe 90°/45° 90/42mm  
Long. max. coupe 90°/45° 305/215mm  
Inclinaison de lame 0°-45°  
Pivotement table gauche/d 45°/45°  
Raccordement d'aspiration d/D30/40mm  
Poids 18 kg

Voltage 230V ~1L/N 50-60Hz  
Puissance 1500W  
Courant électrique 6,5 A  
Raccordement (H05VV-F) 2x1mm<sup>2</sup>  
Fusible secteur électrique 10A

La machine a une double isolation, conforme au EN 61029, c'est pourquoi elle ne nécessite pas de prise de terre.

Laser Classe 2 < 1mW, 400-700nm  
Alimentation 3V (transformateur)

### 4.2 Emission de bruit

(Incertitude de mesure 4 dB)

Puissance sonore (selon EN ISO 3746):  
Marche à vide L<sub>WA</sub> 101,5 dB(A)

Niveau de pression sonore (selon EN ISO 11202):  
Marche à vide L<sub>pA</sub> 88,7 dB(A)

Les indications données sont des niveaux de bruit et ne sont pas forcément les niveaux pour un travail sûr.

Cette information est tout de même importante, ainsi l'utilisateur peut estimer les dangers et les risques possibles.

### 4.3 Contenu de la livraison

1 scie  
1 Sac à poussière  
1 Serre-pièce  
2 Rallonges  
1 Butée de mesure de longueur  
1 Clé 13mm  
1 lame  
Mode d'emploi  
Liste pièces de rechange

## 4.4 Description de la scie

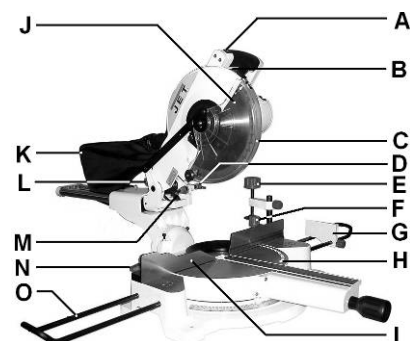


Fig 1

- A.....Interrupteur marche/arrêt du laser
- B.... Poignée à interrupteur
- C....protège-lame
- D.... Goupille verrouillage tête de scie
- E..... Serre-pièce
- F..... Pince d'onglet
- G... Butée de mesure de longueur
- H..... Table de machine
- I..... Butée de pièce
- J.... Lame de scie
- K..... Sac à poussière
- L..... Blocage du chariot
- M.....Laser du guidage
- N.... Fixation du pivotement
- O... Rallonges
- P..... Bouton de déverrouillage
- Q... Réglage de la profondeur de coupe
- U... Bouton verrouillage tête de scie

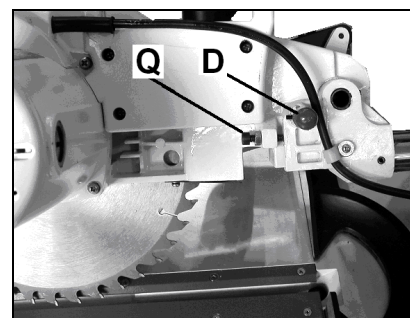


Fig 2

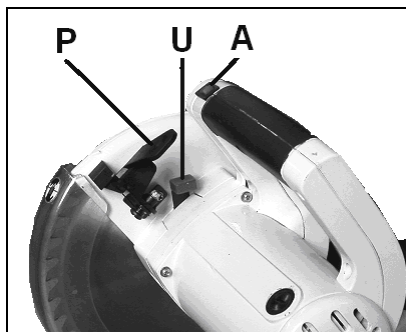


Fig 3

## 5. Transport et mise en exploitation

### 5.1. Transport

Effectuer le montage de la machine dans un local fermé ou un atelier respectant les conditions de menuiserie.

Placer la machine sur une surface stable et plane. La machine peut aussi être fixée à la surface.

Pour des raisons techniques d'emballage la machine n'est pas complètement montée à la livraison.

### 5.2 Montage

Déballer la machine.

Avertir immédiatement JET si vous constatez des pièces endommagées par le transport et ne pas monter la machine.

Éliminer l'emballage dans le respect de l'environnement.

Enlever la protection antirouille sur la table avec un dissolvant.

### Montage des rallonges

Faire glisser la butée de mesure de longueur (B, Fig 4) sur le côté souhaité.

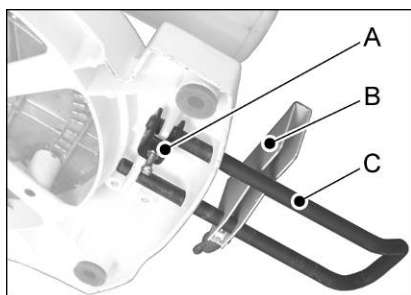


Fig 4

Bloquer les rallonges (C) sur le socle de la machine à l'aide des fixations en métal (A).

### Montage du sac à poussière.

Utiliser le sac à poussière (K, Fig 1) pour recueillir la poussière qui se libère.

On peut faire glisser le sac à poussière sur le raccordement à l'arrière du protecteur de la scie.

Ce raccord peut aussi servir pour le raccordement d'un aspirateur.

### Déverrouillage de la tête de scie

La scie standard est livrée avec la tête de scie verrouillée.

Le bouton de verrouillage de la tête de scie (D, Fig 2) peut être sorti en poussant la tête de scie par la poignée vers le bas. Faire revenir lentement la tête de scie vers le haut.

Pour tout transport de la scie, la tête devra être à nouveau verrouillée.

### 5.3 Raccordement au réseau élect.

Le raccordement ainsi que les rallonges utilisées doivent correspondre aux instructions.

Le voltage et la fréquence doivent être conformes aux données inscrites sur la machine.

Le fusible de secteur électrique doit avoir 10A.

Utiliser pour le raccordement des câbles H05VV-F.

Tous travaux de branchement et de réparation sur l'installation électrique doivent être exécutés uniquement par un électricien qualifié.

### 5.4 Mise en exploitation

Appuyer sur la poignée à interrupteur (B, Fig 1) pour mettre la machine en marche. Relâcher la poignée pour arrêter la scie.

## 6. Fonctionnement de la machine

### Position de travail:

Debout devant la machine en direction de la coupe (Fig 5).

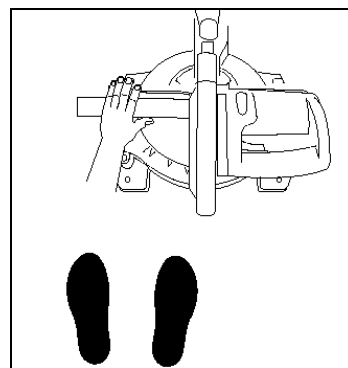


Fig 5

Positionner la tête et le corps sur le côté de la lame, en dehors de la trajectoire d'éjection des copeaux

Ne jamais croiser les bras, toujours se tenir à une distance suffisante de la zone de coupe.

Veiller à avoir une position bien stable et sûre.

Ne jamais couper de pièces trop courtes, elles ne peuvent pas être fixées en toute sécurité.

### Manœuvre des pièces:

Poser les pièces trop longues sur un support roulant.

Pendant la coupe, les pièces doivent être bloquées sur la butée de pièces avec des pinces.

Ne jamais scier en tenant la pièce seulement dans la main.

Il faut être très prudent lors de tous travaux d'encoche ou de fente.

### Important:

**Prendre toujours en considération les instructions de sécurité et se tenir aux règlements en vigueur.**

Procéder au réglage du balancier et des onglets.

Connecter la machine au réseau (brancher la machine).

Veillez à ce que le capot de protection de la lame de scie se trouve dans la position correcte, avant de commencer le sciage.

La scie est mise en marche par le bouton interrupteur à l'intérieur de la poignée (B, Fig 1).

Avant de commencer le sciage, la lame de scie doit tourner à plein régime.

### Coupe sans traction (chariot bloqué)

Glisser le bouton de déverrouillage (P, Fig 3) de côté et pousser lentement et régulièrement la tête de scie vers le bas par la poignée.

Après la fin des travaux, la tête de scie doit être replacée dans sa position de base.

### Coupe avec traction

Pour effectuer des coupes longues, la traction est nécessaire.

Débloquer le chariot (L, Fig 1).

Tirer la tête de scie vers soi.

Glisser le bouton de déverrouillage (P, Fig 2) de côté et pousser lentement et uniformément la tête de scie vers le bas par la poignée.

Pour effectuer l'opération suivante, pousser lentement et régulièrement la tête de scie.

Arrêter le moteur.

Après la fin des travaux, la tête de scie doit être replacée dans sa position de base.

### ATTENTION !

L'état de la lame de scie doit être contrôlé avant chaque travail.

Ne travailler qu'avec des lames bien aiguisées et en parfait état!

Toujours travailler avec des serre-pièces (E, Fig 1).

S'assurer que les bois ronds ne seront pas entraînés par le mouvement de rotation.

Les pièces rondes et irrégulières ne doivent être coupées qu'avec un dispositif de serrage spécial.

### Pièces fléchies ou voilées:

Il faut positionner de telles pièces de façon à ce que le point de coupe soit supporté par le guide (Fig 6).

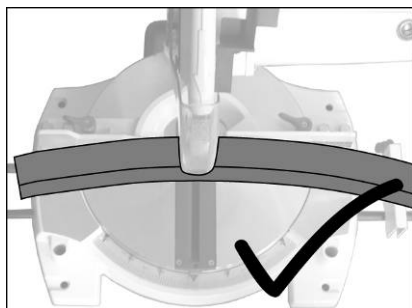


Fig 6

Cette opération est potentiellement dangereuse (Fig 7).

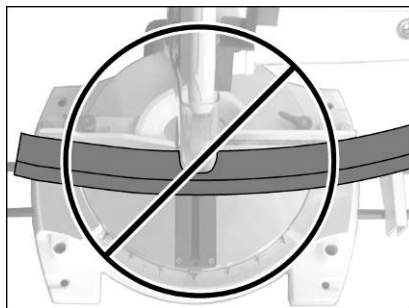


Fig 7

### Sciage en biais:

La tête de scie peut être réglée en continu pour le sciage en biais dans un angle entre 0° et 45°.

Avant le sciage en biais, dévisser le bouton tournant (N, Fig 8) qui se trouve à l'arrière de la machine.

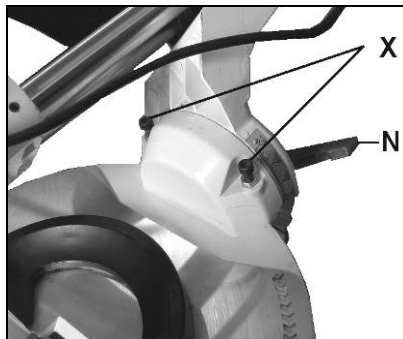


Fig 8

Le revisser avant de commencer à scier.

### Sciage en onglet horizontal:

La tête de scie peut être réglée en continu pour le sciage en onglet entre -45° et +45°.

Débloquer les 2 pinces d'onglet (F, Fig 1) qui se trouvent à l'arrière de la machine.

Positionner la tête de scie dans la position souhaitée.

Resserrer les 2 pinces d'onglet avant de commencer le sciage.

### Coupe de sciage combinée:

Choisir l'angle en biais et à onglet exact.

## 7. Réglages

### Attention:

Faire tous les travaux de maintenance ou de réglage après avoir débranché la machine du réseau.

## 7.1 Montage de la lame

La lame de scie doit correspondre aux indications techniques mentionnées.

Contrôler la lame de scie avant le montage (déchirure, dents endommagées, déformation). Ne pas utiliser une lame de scie endommagée.

Monter la lame de scie avec les dents en direction de la coupe (vers le bas).

Pour ce travail toujours porter des gants appropriés.

### Avant le montage déconnecter la machine du réseau.

Retirer le protège-lame, en desserrant les 2 vis (R, Fig 9) se trouvant sur le côté de celui-ci et faire basculer le protège-lame vers le haut (S).

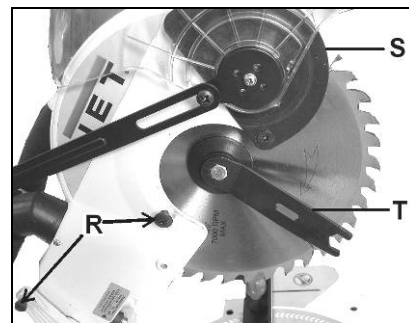


Fig 9

Verrouiller l'arbre de scie avec le bouton de verrouillage de l'arbre (U, Fig 3) et débloquer la vis de serrage avec la clé polygonale (T) jointe à la livraison.

### Attention filetage à gauche!

Retirer la bride extérieure.

Retirer la lame de scie (J, Fig 1) et la remplacer en veillant à ce que les dents de scie soient bien dirigées dans le sens de la flèche se trouvant sur le capot de protection.

Nettoyer les brides avant de remonter la lame de scie.

Remettre en place la bride extérieure et bloquer la vis de réglage à l'aide de la clé polygonale.

A l'aide des deux vis (R, Fig 9) remonter le capot de protection de la lame de scie.

## 7.2 Réglage du laser de guidage

Le laser de guidage (V, Fig. 10) doit être réglé de sorte que le faisceau laser indique le trait de coupe.

Opérer le réglage à l'aide de la vis (W).

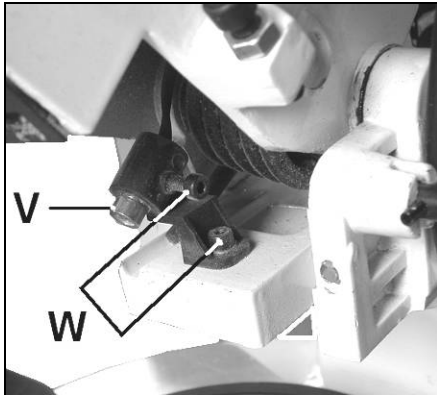


Fig 10

**Attention :**

Laser classe 2, ne jamais regarder dans le rayon laser.

### 7.3 Réglage du guide d'inclinaison

Les guides d'inclinaison à 90° et 45° sont réglés au départ usine.

Au besoin, les réajuster à l'aide de la vis (X, Fig 8).

### 7.4 Réglage de la profondeur de coupe

La profondeur de coupe peut être réglée à l'aide de la vis (Q, Fig2).

Ceci permet de faire des coupes partielles en utilisant la traction.

**Attention:**

Après chaque réglage, avant de remettre la machine en marche, contrôler que la lame n'est pas coincée.

## 8. Entretien et inspection

**Attention:**

**Faire tous les travaux de maintenance, réglage ou nettoyage après avoir débranché la machine du réseau!**

Tous travaux de branchement et de réparation sur l'installation électrique doivent être exécutés uniquement par un électricien qualifié.

Les réparations au niveau du laser de guidage doivent uniquement être réalisées par un spécialiste.

Vérifier chaque jour le fonctionnement impeccable du collecteur de poussières.

Réinstaller immédiatement les dispositifs de protection après avoir fait les travaux de maintenance, réglage ou nettoyage.

Remplacer immédiatement les dispositifs de protection endommagés.

Toute grille de scie usée doit être remplacée.

**Nettoyage:**

Nettoyer la machine régulièrement.

Nettoyez régulièrement le carter au moyen d'un chiffon doux, de préférence à l'issue de chaque utilisation.

Veillez à ce que les fentes d'aération soient indemnes de poussières et de saletés.

En présence de saleté tenace, employez un chiffon doux humecté d'eau savonneuse.

Proscrivez l'emploi de solvants comme l'essence, l'alcool, l'ammoniaque etc. car ces substances attaquent les pièces en plastiques.

**Balais à charbon:**

Les brosses de collecteur s'usent à l'usage et peuvent avoir besoin d'être remplacées .

-Débranchez la machine du réseau.

-Enlevez les protecteurs (A, Fig 11).

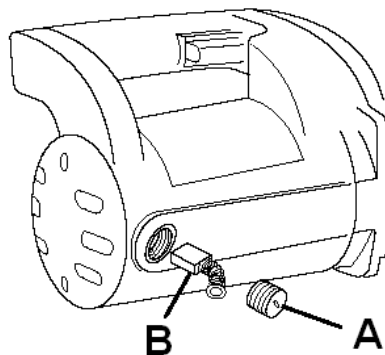


Fig 11

-Remplacez les balais à charbon. (Numéro d'article Jet : JSMS10L-109 ....2 balais nécessaires).

-Remonter les protecteurs

**Lames de scie:**

N'utiliser que des lames suffisamment aiguisées.

N'utiliser que des lames à angle de dégagement négatif.

Ne pas utiliser de lames standard.

Pour couper des parois minces, utiliser des lames à denture fine (au moins 80 dents).

Remplacer immédiatement toutes lames endommagées.

L'entretien des lames de scie ne doit être confié qu'à un personnel qualifié.

## 9. Détecteur de pannes

**Moteur ne se met pas en route**

\*Pas de courant-  
Vérifier le voltage.

\*Balais à charbon usés-  
Remplacer des balais.

\*Défaut au moteur, bouton ou câble-  
Contacter un électricien qualifié.

**Le laser de guidage ne s'allume pas**

\*Laser linéaire ou bien arrivée de courant défectueux -  
Contacter un électricien qualifié.

**Vibration violente de la machine**

\*La machine n'est pas sur un sol plat-  
Repositionner la machine.

\*Lame de scie endommagée-  
Remplacer immédiatement la lame.

**Equerre de coupe pas 90°**

\*Mauvais réglage du guide d'inclinaison

\*Mauvais réglage du guide-lame

**Résultat du sciage insuffisant**

\*Mauvaise lame de scie

\*Lame de scie résineuse

\*Lame de scie émoussée

\*\*Pièce à usiner non homogène

\*Trop de pression sur le travail-  
Ne jamais forcer sur le travail.

## 10. Protection de l'environnement

Protégez l'environnement !

Votre appareil comprend plusieurs matières premières différentes et recyclables. Pour éliminer l'appareil usagé, veuillez l'apporter dans un centre spécialisé de recyclage.

## 11. Accessoires

Pour diverses lames voir liste de prix JET.